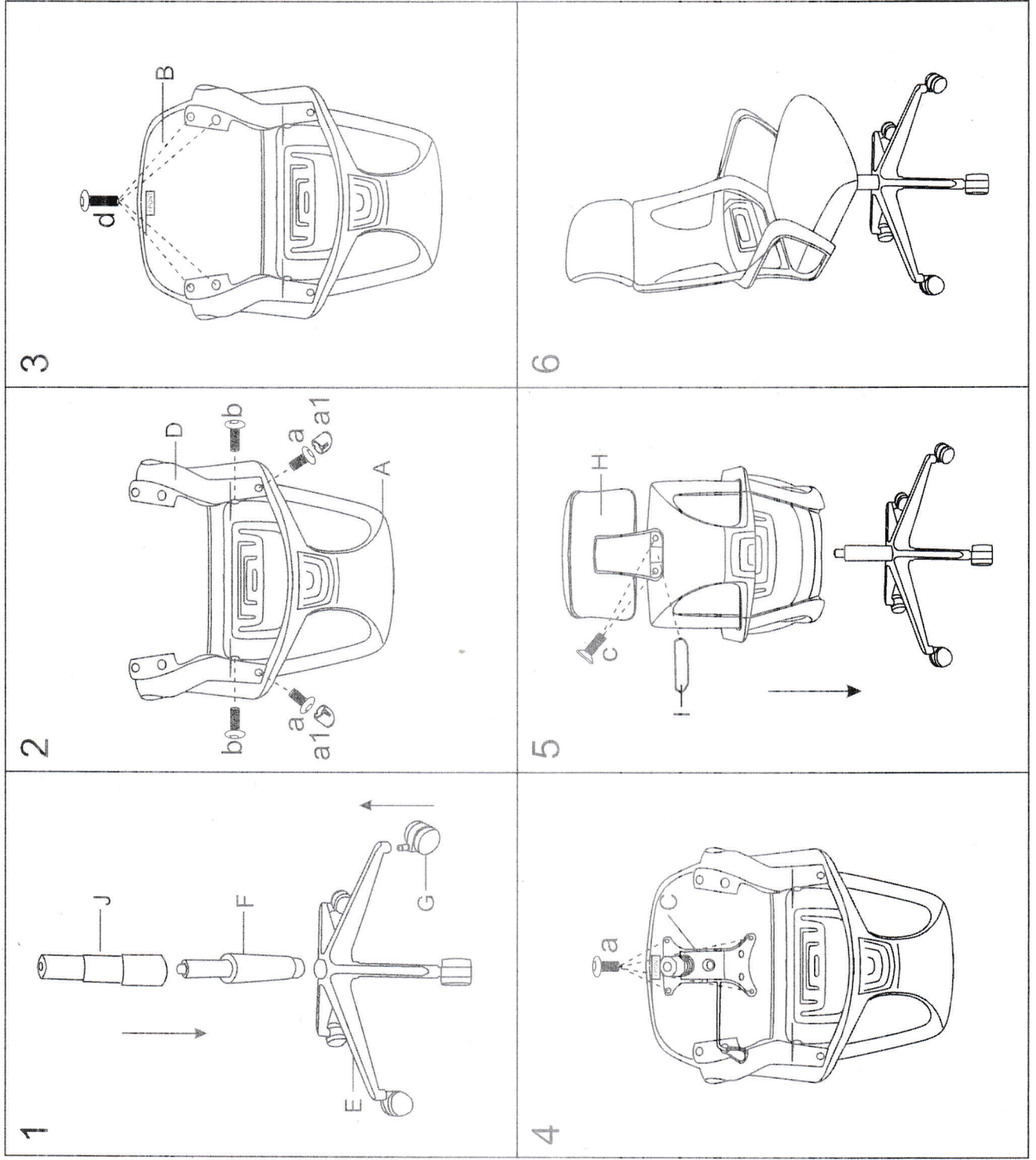


Assembly Instruction



| | | | |
|-----|--|-----|------------|
| Ax1 | | Gx5 | |
| Bx1 | | Hx1 | |
| Cx1 | | Ix1 | |
| | | a1 | x2 |
| Dx2 | | Jx1 | |
| Ex1 | | a | M6x16mm x6 |
| | | b | M6x25mm x2 |
| | | c | M6x20mm x2 |
| | | d | M6x35mm x4 |
| Fx1 | | Fx1 | |